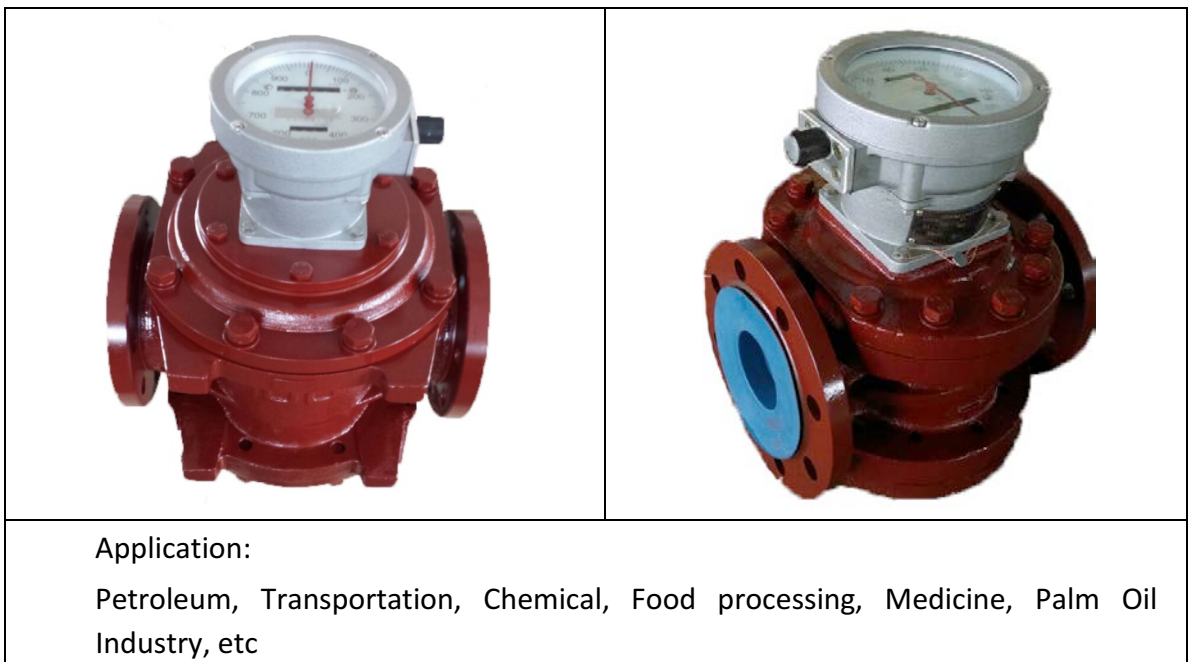


# **S-fuel Hi-flo Meter (SHM)**

## **Oil Flowmeter**

SHM Roots Flowmeter has high accuracy, good reliability, light weight, long life, and easy installation.

SHM Roots Flowmeter display/register is both of *resettable* and *totalizer* for convenient use, and it can be coupled with the control device to get remote measurement.

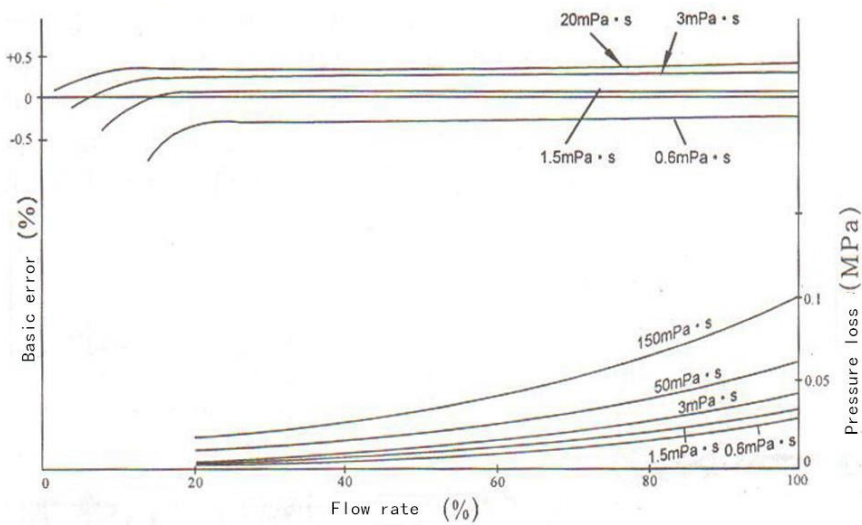


## **Specification:**

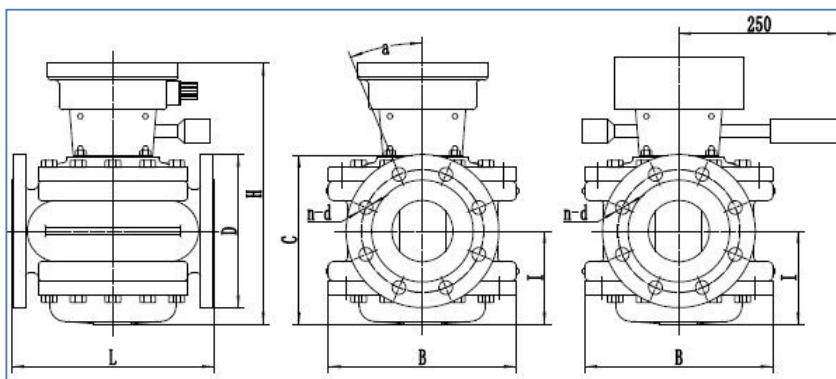
- Working pressure (bar) : 16 BAR
- Temperature (°C) : -10c~100c
- Accuracy grade : +/- 0.5%
- Counter Reading : Litre

Size (DN)	Min Flowrate	Continues Flowrate	Max Flowrate	Weight (KG)
Litre per Minute/LPM				
DN 15	3.3	17.5	25	6
DN 20	6.6	35	50	8
DN 25	13	70	100	10
DN 40	33	186	266	21
DN 50	50	292	417	26
DN 80	133	700	1000	40
DN 100	200	1166	1666	86
DN 150	417	2333	3333	202

## Performance Table



## Drawing



## Technical Information:

Body	Iron
Rotor	Aluminum
Cover	Iron
Shaft	Stainless steel
Bearing	Stainless steel

## Flow meter installation

- Flow meter should be installed after the filter, the two arrows pointing in the body on the line with the flow direction
- If there is gas in the pipeline, flow meter should be installed after the gas separator
- No matter pipe is installed vertically or horizontally, the waist bearings of flow meter installed into a horizontal position axle (the counter should be perpendicular to the ground)
- Flow meter installed in the right circumstances, if difficult to see clearly, can be rotated 180 degrees to the counter, or 90 degrees
- Throttle valve should be installed in the meter entrance, opening and closing valve installed in the exit of the use of open-close valve slowly to start, do not suddenly open valve
- The use of scan-line steam through the flowmeter prohibited
- In the continuous use sector, need to add bypass pipe flow meter
- Pre-installation flow meter, piping required to wash, rinse used straight pipe section (alternative flow meter position) to prevent the welding slag and debris from entering flow meter
- Check water is strictly prohibited if cast iron, cast steel material ,
- When using the flow meter, flow rate should not exceed the technical requirements. It is preferable to keep the flow at 70 %~ 80% of maximum flow